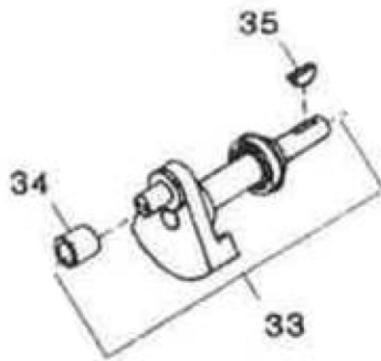


## 30211577\* - CRANKSHAFT COMPLETE WITH BUSHING



No.	Description	Ref Part No.	QTY
2-33	Crankshaft Complete With Bushing	30211577*	-
2-34	- Bushing Crankpin	30289813	1
2-35	- Key, Woodruff	95433173	1